

CM Technology



Key Performance Features:

- 84 to 260 oz-in Continuous Torque
- 12-120 VDC Typical
- Smooth 4-Pole Neodymium Magnet Performance
- High Torque to Weight Ratio
- Dynamically Balanced Armatures
- Stainless Steel Shaft
- Round or Optional NEMA 34 Flange Mounting
- RoHS Compliant

BR28

Brushed Servo Motors

Motor Characteristics:

| Frame Size | Stack Length | Peak Stall | Cont. Stall | Rotor | Friction | Thermal | Max | Max | Power | Weight |
|-------------------|--------------|-----------------------------------|-----------------------------------|---|-----------------------------------|---|--------------------|---------------------|-----------------|--------|
| | | Torque (T _P) oz-in | Torque (T _C) oz-in | Inertia (J _M) oz-in-sec ² | Torque (T _F) oz-in | Resistance (R _M) °C/watt | Rated Speed rpm | Winding Temp. °C | Rating watts | pounds |
| BR28 - 100 | | 900 | 84 | 0.01 | 6 | 3.7 | 4,000 | 155 | 84 | 3.0 |
| BR28 - 200 | | 1300 | 135 | 0.02 | 7 | 2.9 | 4,000 | 155 | 155 | 4.0 |
| BR28 - 300 | | 1500 | 210 | 0.03 | 8 | 2.3 | 4,000 | 155 | 210 | 5.5 |
| BR28 - 400 | | 1700 | 260 | 0.04 | 9 | 1.8 | 4,000 | 155 | 260 | 6.8 |

Sample Windings:

Consult CM Tech Application Staff for other available windings

| Frame Size | BR28 - 100 | | | | BR28 - 200 | | | | BR28 - 300 | | | | BR28 - 400 | | | |
|--------------------------------------|------------|------|------|------|------------|------|------|------|------------|------|------|-------|------------|------|------|-------|
| | Windings | E | G | I | K | E | G | I | K | E | G | I | K | E | G | I |
| Torque Constant (kt) Oz-in/amp | 8.8 | 14.1 | 22.9 | 36.4 | 17.5 | 27.9 | 44.8 | 71.1 | 26.1 | 40.6 | 65.6 | 104.1 | 34.4 | 54.7 | 87.2 | 138.5 |
| Voltage Constant (ke) Volts/Krpm | 6.5 | 10.4 | 16.9 | 26.9 | 13.0 | 20.6 | 33.1 | 52.6 | 19.3 | 30.0 | 48.5 | 77.0 | 25.4 | 40.5 | 64.5 | 102.4 |
| Term. Resistance (Rt) Ohms (cold) | 0.5 | 0.88 | 1.93 | 5.0 | 0.8 | 2.0 | 2.64 | 6.59 | 1.10 | 1.4 | 3.17 | 9.8 | 0.83 | 2.2 | 5.5 | 12.2 |
| Peak Current (A) Amps | 60 | 36 | 23 | 15 | 60 | 36 | 23 | 15 | 60 | 36 | 23 | 15 | 60 | 36 | 23 | 15 |
| Cont.. Current (A) Amps | 9 | 5 | 3 | 2 | 9 | 5 | 3 | 2 | 9 | 5 | 3 | 2 | 9 | 5 | 3 | 2 |

Values as listed based on actual tested results, Application test results may vary, Subject to change

For more options or assistance contact CM Technology with your application needs
Phone (978) 664-6218 • Fax (978) 664-6219 • E-mail: sales@cmtechllc.com

BR28 Optional Features:

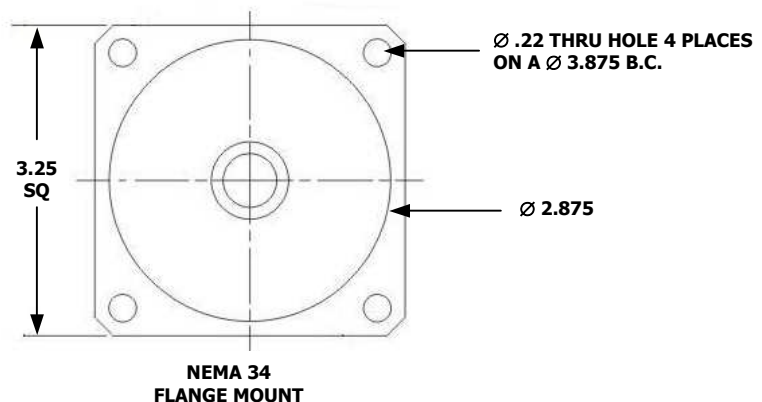
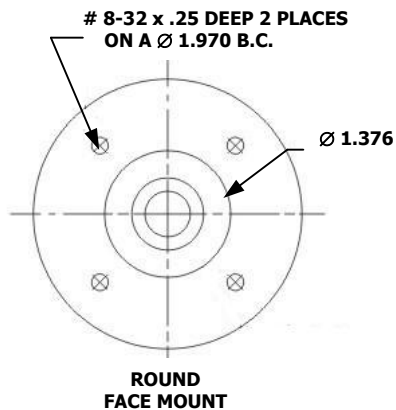
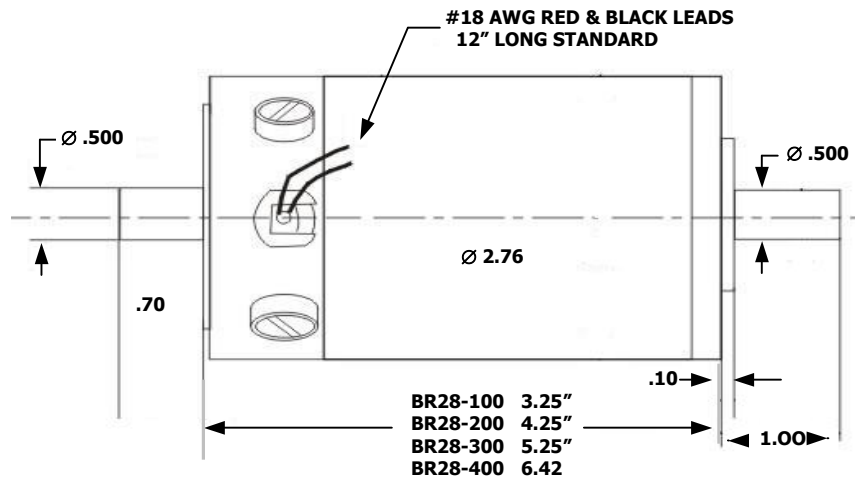
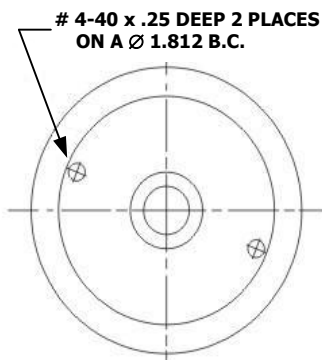
- Customized Feed Back Encoders, Tachometers, Resolvers
- Gearbox and Brakes
- NEMA 34 Flange Mounting
- IP 65 Sealing
- Application Specific Windings
- Custom Mechanical and Packaging Design and Harnessing

Typical Applications

- Machine Tools and Accessories
- Electric Vehicles
- Robotics
- Factory Automation
- Material Handling
- Material Handling Equipment
- Medical and Pharmaceutical

Contact CM Technology for your customized application solutions

CM Technology



For more options or assistance contact CM Technology with your application needs
Phone (978) 664-6218 • Fax (978) 664-6219 • E-mail: sales@cmtechllc.com