

CM Technology



Key Performance Features:

- 53 to 105 oz-in Continuous Torque
- 12-120 VDC Typical
- High Torque to Weight Ratio
- Smooth 4-Pole Neodymium Magnet Performance
- Dynamically Balanced Armatures
- Stainless Steel Shaft
- Round or Optional NEMA 23 Flange Mounting
- RoHS Compliant

BR234

Brushed Servo Motors

Motor Characteristics:

Frame Size	Stack Length	Peak Stall	Cont. Stall	Rotor	Friction	Thermal	Max	Max	Power	Weight
		Torque (T _P) oz-in	Torque (T _C) oz-in	Inertia (J _M) oz-in-sec ²	Torque (T _F) oz-in	Resistance (R _M) °C/watt	Rated Speed rpm	Winding Temp. °C	Rating watts	pounds
BR234 -100		500	53	0.006	5	4.5	4,000	155	74	2
BR234 -200		800	78	0.010	6	4.0	4,000	155	105	2.6
BR234 -285		1000	105	0.014	7	3.5	4,000	155	140	3.2

Sample Windings:

Consult CM Tech Application Staff for other available windings

Frame Size	BR234 -100				BR234 - 200				BR234 - 285			
Windings	E	G	I	K	E	G	I	K	E	G	I	K
Torque Constant (kt) Oz-in/amp	5.0	8.1	13.0	20.1	9.6	16.0	25.5	39.9	13.7	22.7	36.2	56.3
Voltage Constant (ke) Volts/Krpm	3.7	6.0	9.6	14.9	7.1	11.8	18.9	29.5	10.1	16.8	26.8	41.6
Term. Resistance (Rt) Ohms (cold)	0.46	0.65	1.45	3.15	0.59	1.00	1.93	4.33	0.46	1.28	2.70	5.5
Peak Current (A) Amps	75	48	24	15	75	48	24	15	75	48	24	15
Cont.. Current (A) Amps	7.3	4.7	3.0	2.0	7.3	4.7	3.0	2.0	7.3	4.7	3.0	2.0

Values as listed based on actual tested results, Application test results may vary, Subject to change

For more options or assistance contact CM Technology with your application needs
 Phone (978) 664-6218 • Fax (978) 664-6219 • E-mail: sales@cmtechllc.com

BR234 Optional Features:

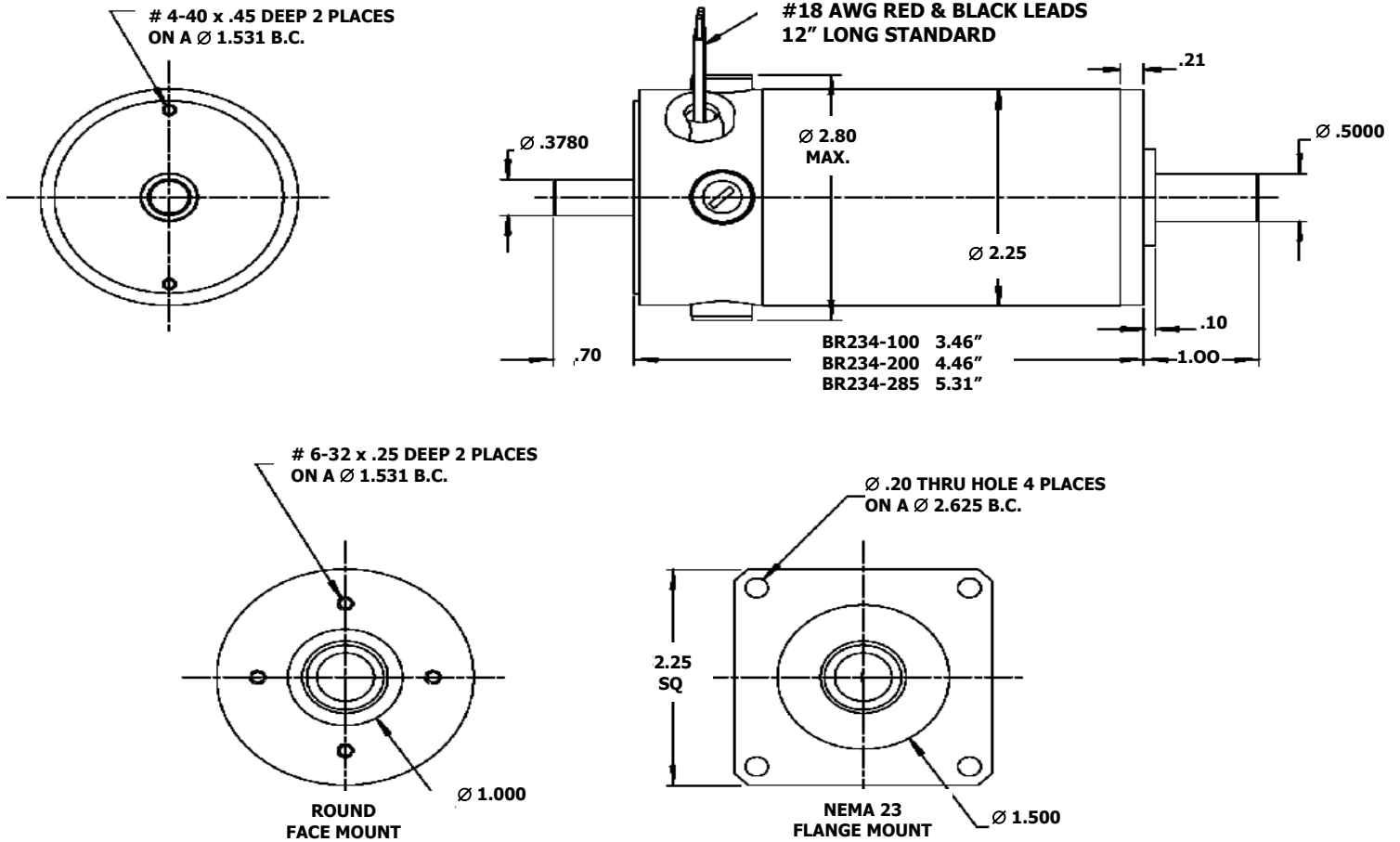
- Customized Feed Back
Encoders, Tachometers, Resolvers
- Gearbox and Brakes
- NEMA 23 Flange Mounting
- IP 65 Sealing
- Application Specific Windings
- Custom Mechanical and Packaging Design
and Harnessing

Typical Applications

- Machine Tools and Accessories
- Electric Vehicles
- Robotics
- Factory Automation
- Material Handling
- Medical & Pharmaceutical Equipment

Contact CM Technology for your customized application solutions

CM Technology



For more options or assistance contact CM Technology with your application needs
 Phone (978) 664-6218 • Fax (978) 664-6219 • E-mail: sales@cmtechllc.com