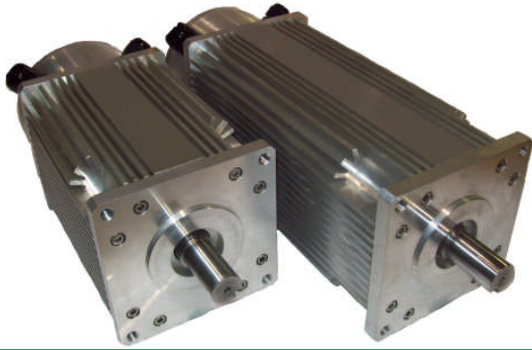


CM Technology



Key Performance Features:

- 970 to 2625 oz-in Continuous Torque
- 24-600 VDC Typical
- Operating Speeds to 6,000 RPM
- 8-Pole Neodymium Magnets Performance
- Dynamically Balanced Rotors
- RoHS Compliant, CE Certification

BL568

Brushless Servo Motors

Motor Characteristics

FRAME SIZE	STACK LENGTH	Peak Stall Torque (Tp) oz-in	Cont. Stall Torque (Tc) oz-in	Friction & Cogging Torque (Tf) oz-in	Rotor Inertia (Jm) oz-in-sec ²	Thermal Resistance (Rth) degC/Watt	Max Recom'd Speed RPM	Max Winding Temp C	Elec Time Constant (Te) msec	Power Range W	Weight lb
BL568	200	2775	970	28.5	0.204	0.15	6000	155	5.5	1890	21.4
BL568	400	4350	1615	47.0	0.395	0.13	6000	155	6.9	3150	35.7
BL568	600	5940	2070	65.5	0.589	0.11	6000	155	7.8	4410	50.0
BL568	800	7500	2625	84	0.777	0.09	6000	155	9.4	5670	64.4

Sample Windings

CONSULT CM Technology APPLICATION STAFF FOR OTHER AVAILABLE WINDINGS

	BL568 - 200				BL568 - 400				BL568 - 600				BL568 - 800			
	3C	3D	3E	3F	3C	3D	3E	3F	3C	3D	3E	3F	3C	3D	3E	3F
Torque Constant (Kt) oz-in/amp	21.1	27.1	33.9	41.4	42.2	54.3	67.8	82.9	63.2	81.2	101.5	124.1	84.1	108.2	135.2	165.2
Voltage Constant (Ke) Volts/Krpm	15.6	20.1	25.1	25.1	31.2	40.1	50.2	61.3	46.7	60.1	75.1	91.7	62.2	80.0	100.0	122.2
L-L Resistance (Ra) Ohms (cold)	0.03	0.05	0.08	0.13	0.05	0.08	0.12	0.19	0.06	0.10	0.16	0.25	0.08	0.13	0.20	0.32
Inductance (L-L) mH	0.18	0.28	0.44	0.70	0.33	0.53	0.83	1.31	0.50	0.79	1.25	1.97	0.75	1.19	1.87	2.40
Peak Current (A) Amps	76	60	44	28	76	60	44	28	76	60	44	28	76	60	44	28

VALUES AS LISTED ARE TEST CONDITIONS. ACTUAL RESULTS MAY VARY

For more options or assistance contact CM Technology with your application needs
 Phone (978) 664-6218 • Fax (978) 664-6219 • E-mail: sales@cmtechllc.com

BL568 Series Options

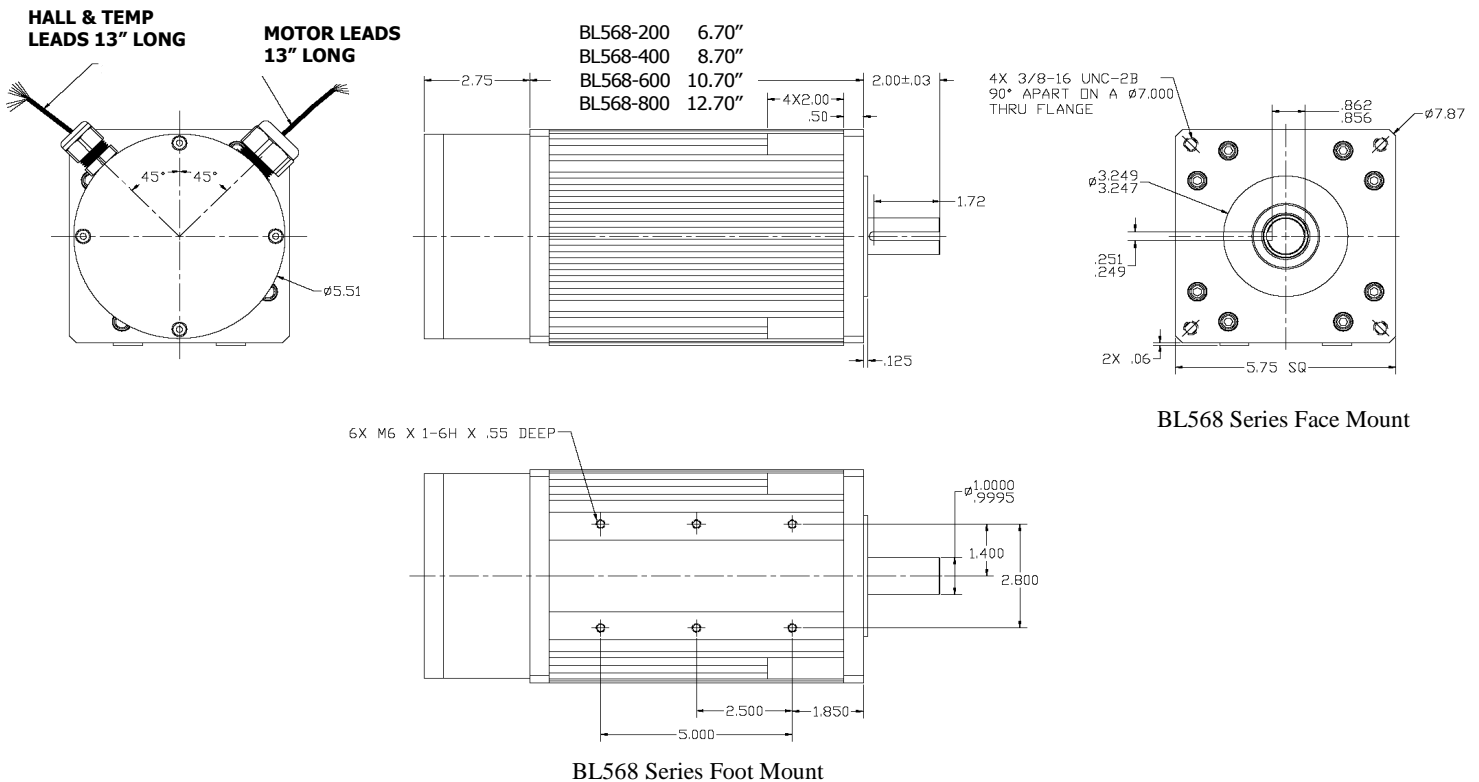
- Feedback: Hall Sensors, Resolvers, Optical Encoders Commutation Encoders
- Accessories: Gear Boxes, Brakes & Pumps
- Application Specific Windings and Mechanical Interface Designs
- Custom Cables and Connectors
- IP 67 Sealing

Typical Applications

- Hybrid, Electrical Vehicle Systems
Commercial, Off Road, Fleet & Military
- Hydraulic Power Steering
- Compressor
- Vehicle Hydraulic Accessories
- Robotic Wheel Motors

Contact CM Technology for your customized application solutions

CM Technology



For more options or assistance contact CM Technology with your application needs
Phone (978) 664-6218 • Fax (978) 664-6219 • E-mail: sales@cmtechllc.com